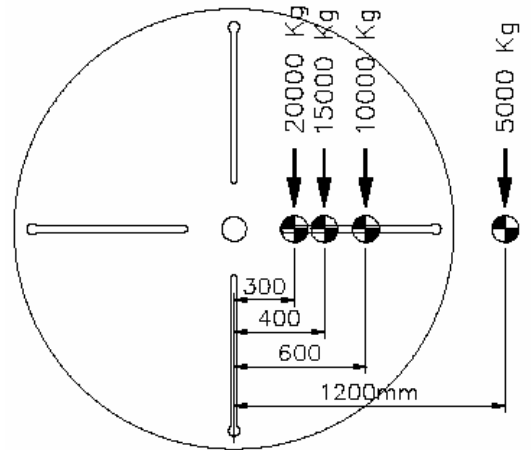
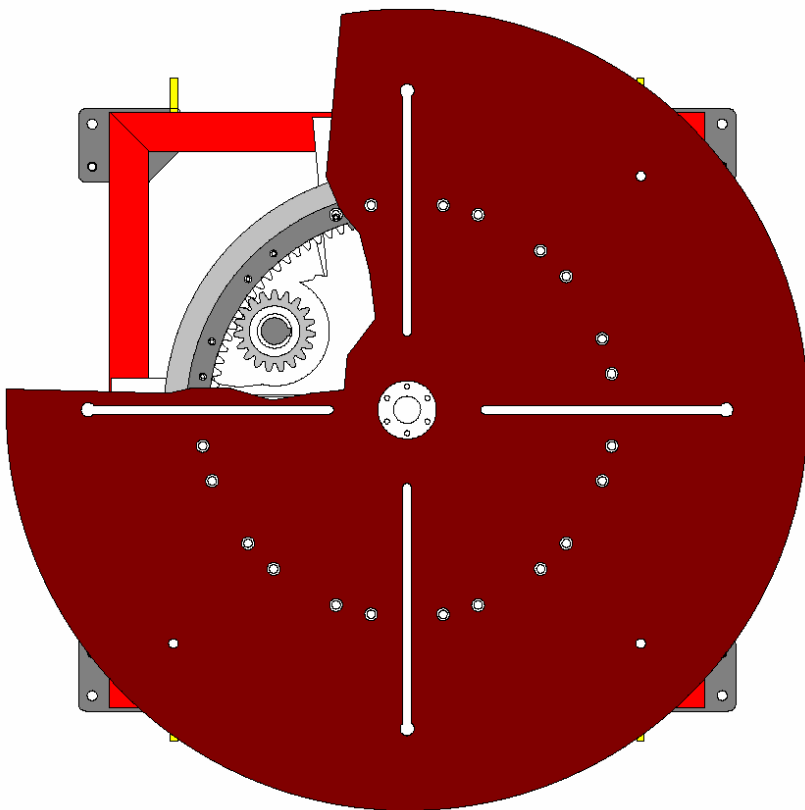
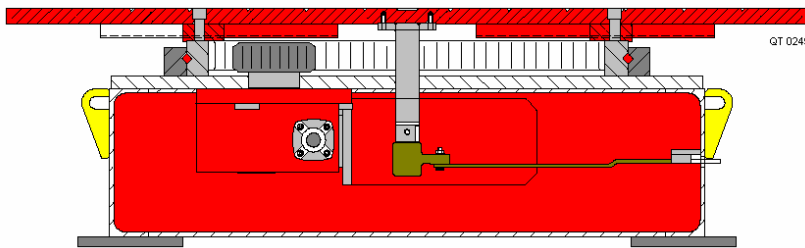




Specification Data
Horizontal Turntable
Capacity: 20 Tonnes
Model: RTT20T

A&N Horizontal Turntable Model RTT20T is fully tempered after welding before precision machining of 4 x parallel slots or concentric ring markings and pilot center hole. The base frame is constructed from structural steel designed for rigidity and provides protection to the gearing system. The gearing system is located internally and offers unsurpassed safety to the operator. An AC Motor controlled by the latest Inverter control box provides infinitely variable speed control. The table is bolted to a heavy-duty thrust bearing, which can be lubricated externally via a lubricant duct, thus providing ease of maintenance. Control is via a low voltage push button controller offering the following functions; control, forward/reverse, stop/start, variable speed potentiometer.



Specification

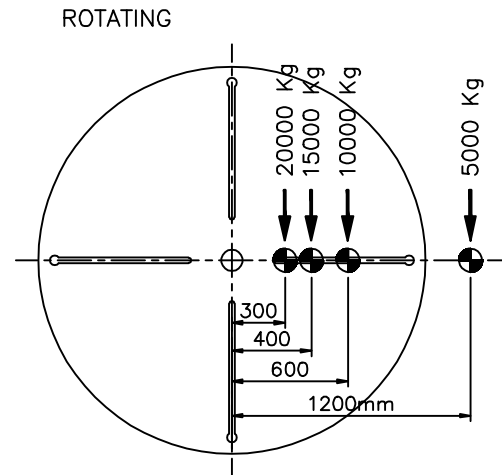
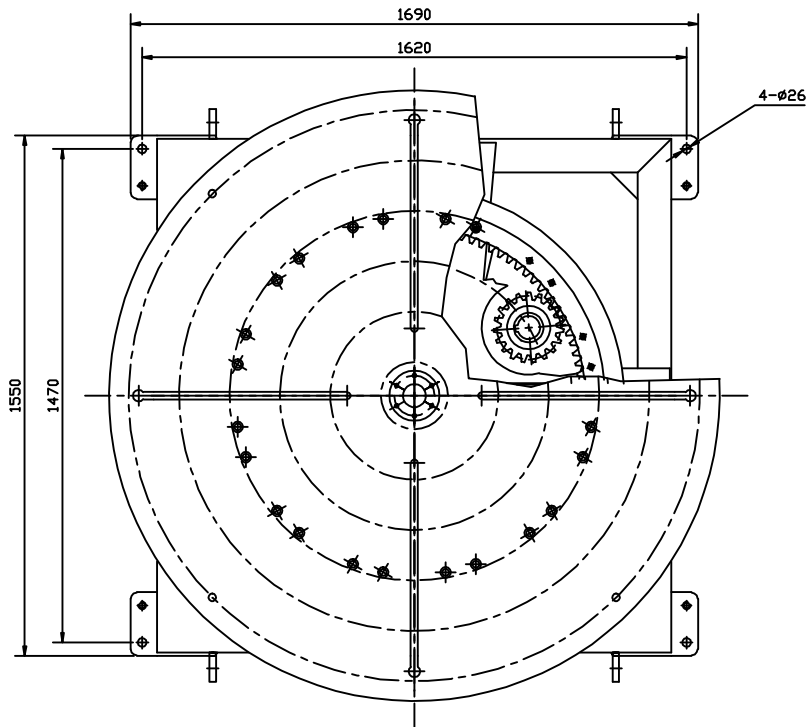
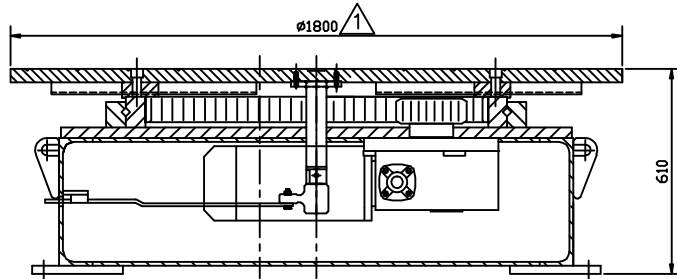
- 20 metric ton at 300mm at eccentricity
- Rotation speed at 0.06~0.6 rpm
- Single pinion drive
- 3Kw drive control system inverter type
- Input supply: 400V/3Ph/50Hz (available on international voltage).
- Rotary ground clamp 1000amps
- Pendant control, push button type with 15 metre control leads

Ordering Information and system checklist

Equipment	Part Number	Description	
Turntable	RTT20T-	20 metric ton turntable	
Built-in with	EA-	3-phase AC motor, Pendant control with 15m cable.	Standard
Table	D900-	A round table with diameter of 900mm	Standard
	D1200-	A round table with diameter of 1200mm	Optional
	D1500-	A round table with diameter of 1500mm	Optional
	D1800-	A round table with diameter of 1800mm	Standard
	S900-	A square table with length of 900mm	Optional
	S1200-	A square table with length of 1200mm	Optional
	S1500-	A square table with length of 1500mm	Optional
	S1800	A square table with length of 1800mm	Optional
Optional item	/E	Encoder	Optional
	/T	Tachometer	Optional
	/P	Dual pinion gear	Optional

Specification for Turntable

1	Model	RTT20T-XA-D1800
2	Safe working Load at 300mm	20 Ton
3	Table Diameter	1800mm
4	Rotation Speed	0.93rpm 2.2KW with Forced Cooling Fan at 50Hz
5	Forced Cooling Fan Supply	400V-3P-50Hz
6	Electrical Panel	No
7	Power Supply	400V-3P-50Hz
8	Control Means	N.A.
9	Auxillary Control Means	N.A.
10	Earthing	800A
11	Surface Preparation	Gritblast to SA2.5
12	Painting	2 coats Zinc Phosphate, 1 coat Polyurethane
13	Color	RAL 3003 Red
14	Qty	1 unit
15	Net. Weight	2530KG



ALL DEMENSIONS IN MM, UNLESS OTHERWISE STATED.

		PROJECT/MODEL :		
		RTT20T-XA-D1800		
DRAWN	NAME	DATE	CLIENT :	SCALE: N.T.S. REVISION: 1 SHEET No: 1 OF 1
	Shal	22-11-07	A&N Plant	
APPROVED			DWG. NAME :TURN TABLE GENERAL ARRANGEMENT	
			DWG. NO. : AN-3950-GA01	
THE ORIGINAL AND ALL COPIES OF THIS DRAWING TOGETHER WITH THE COPYRIGHT THEREOF ARE THE SOLE PROPERTY OF R.P.E. PTE. LTD. SINGAPORE				