

Specification Data
Pipe Shop Column & Boom
Manipulator
2.0 x 2.0 metres
MODEL: RM2020VLS-XA

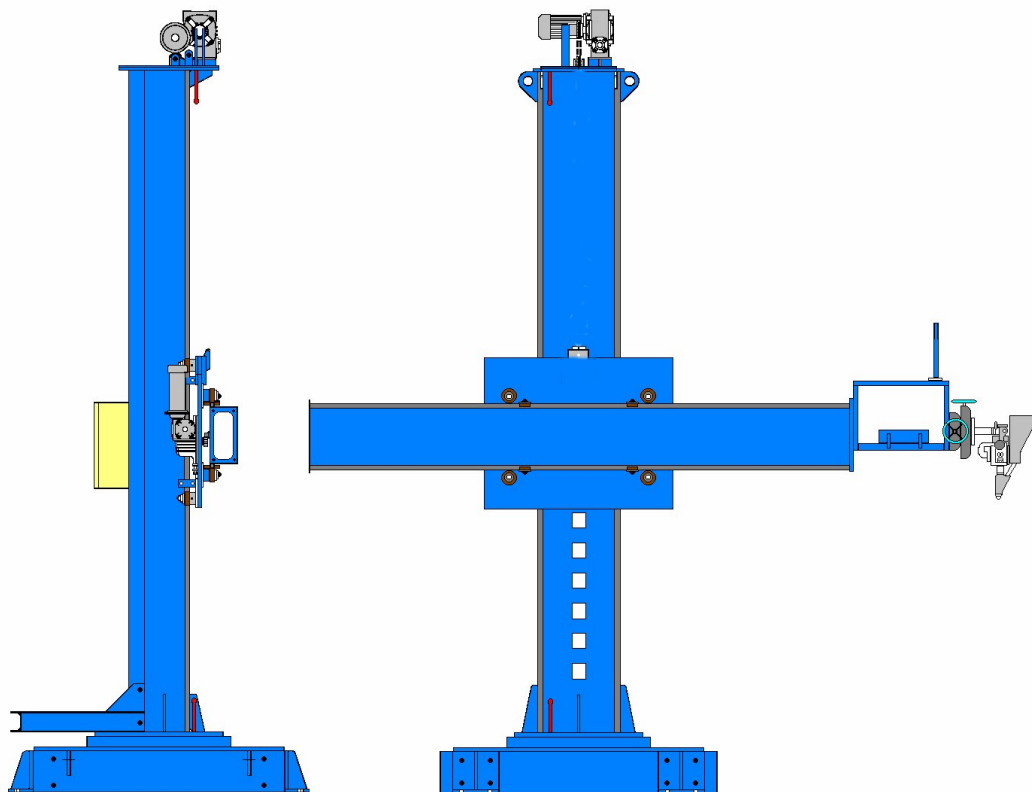


The **A&N** Pipe Shop series Column & Boom Manipulators are specially designed with 360degree rotation. Vertical Lift is achieved via an AC Brake Motor along fully machined guide rail through worm gearbox and leadscrew. Boom Traverse is achieved via a motorised precision rack & pinion machined guide rail. These units are fitted with fixed base for floor mounting but can be fitted with optional non-powered travel car for rail mounting.

The control box is fitted with a low voltage push button remote pendant control providing the up/down, left/right and variable speed boom traverse functions.

This design includes the following features:-

- Precision slewing ring providing 360 degree lockable rotation and positioning
- Latest inverter controls and push button operation incorporated into IP55 control box
- Leadscrew for smooth raise and lower operation
- Integral power source mounting platform



Shown as fixed base – for illustration purposes only

..... www.anplant.com

Pipe Shop Column & Boom RM2020VLS-XA

Specification

Input Voltage: 3-Phase Voltage (Specify 3 –phase voltage requirement before ordering)			
Electrical Box: IP55 code			
Vertical Travel Speed: 600mm/min via 0.37kw motor			
Boom Travel Speed: 248 to 2480mm/minute via 0.37kw motor			
Fixed Base Carriage (Standard) or non-powered travel car			
Model	Horizontal Boom Arm Travel (mm)	Max Overall Height (mm)	Maximum Height Under Boom (mm)
RM2020 VLS	2000	2810	2000

Ordering Information Checklist

Equipment	Part Number	Description	
Pipe Shop Column & Boom	RM2020VLS	2.0 x 2.0 metre Pipe Shop Column & Boom	
Base	XA TC	Fixed base Travel car Manual *Advise factory for detail track gauge	Standard Optional
Electrical Control	EA-	Panel & 3-phase AC motor	Standard

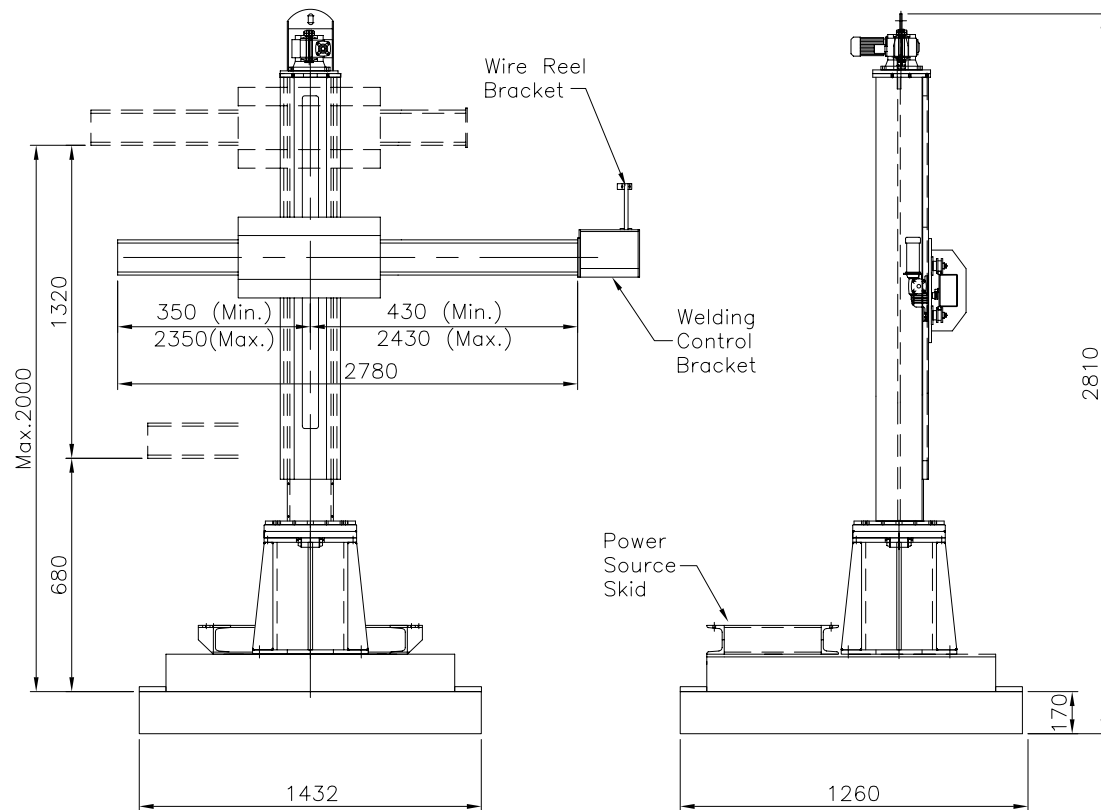
Dimensions	
Overall Column Height :	2810mm
Overall Boom Length :	2780mm
Overall Base Length :	1432mm
Overall Base Width :	1260mm

..... www.anplant.com


Pipe Shop Column & Boom RM2020VLS-XA

Specification for Manipulator

1	Model	RM2020VLS-XA-Z
2	Vertical Speed	600 mm/min 0.37kW at 50Hz
3	Boom Speed	248 to 2480mm/min 0.37KW at 5 to 50Hz
4	Travel Speed	N.A.
5	Max. Under Boom Height	1800 mm
6	Effective Boom Travel	1200 mm
7	Welding Control/ Brand	T.B.A.
8	Welding Power Source/ Brand	T.B.A.
9	Electrical Panel	No
10	Base Type	Fixed
11	Travelcar C-C	N.A.
12	Slewing Feature	Yes, Manual
13	Power Supply	N.A.
14	Control Voltage	N.A.
15	Control Means	Via push button pendant on 6m cable
16	Surface Preparation	Gritblast to SA2.5
17	Painting	2 coats Zinc Phosphate, 1 coat Polyurethane
18	Color	RAL 3003 Red
19	Qty	2 units



ALL DIMENSIONS IN MM UNLESS OTHERWISE SPECIFIED.

 A&N PLANT <small>ROTATORS - COLUMN BOOMS - POSITIONERS</small>		PROJECT/MODEL :		RM2020VLS-XA-Z	
		CLIENT :			A&N
DRAWN	NAME	DATE	DWG. NAME :		General Arrangement
	Kris	22-02-07	DWG. NO. :		
APPROVED			PJ-3487-GA17		SCALE: N.T.S. REVISION: 1 SHEET NO: 1 OF 1
THE ORIGINAL AND ALL COPIES OF THIS DRAWING TOGETHER WITH THE COPYRIGHT THEREOF ARE THE SOLE PROPERTY OF R.P.E. PTE. LTD. SINGAPORE					