

Specification Data
Column & Boom Manipulators
MHD Series
Range up to 4.0 x 4.0 metres

The **A&N** MHD series of Column & Boom Manipulators are specifically designed and built to withstand the harsh and rugged environments expected in the welding industry. It includes the following features:

- A slewing ring for column mounting, thereby providing a smooth 360-degree lockable rotation.
- All vertical and horizontal rails are precisely machined in single runs giving unsurpassed smooth and steady travel.
- Latest Inverter drives fitted for variable speed of horizontal boom arm travel and rail travel car (optional).
- Worm gearbox for vertical travel via AC motor complete with brake for added safety.
- High tensile roller chain used for vertical travel with the addition of a counter balance system provides smooth effortless vertical travel.
- IP 55 control box and low voltage pendant control station.
- Standard safety feature includes anti-fall device and limit switches for all functions.
- Internally trunked cabling.

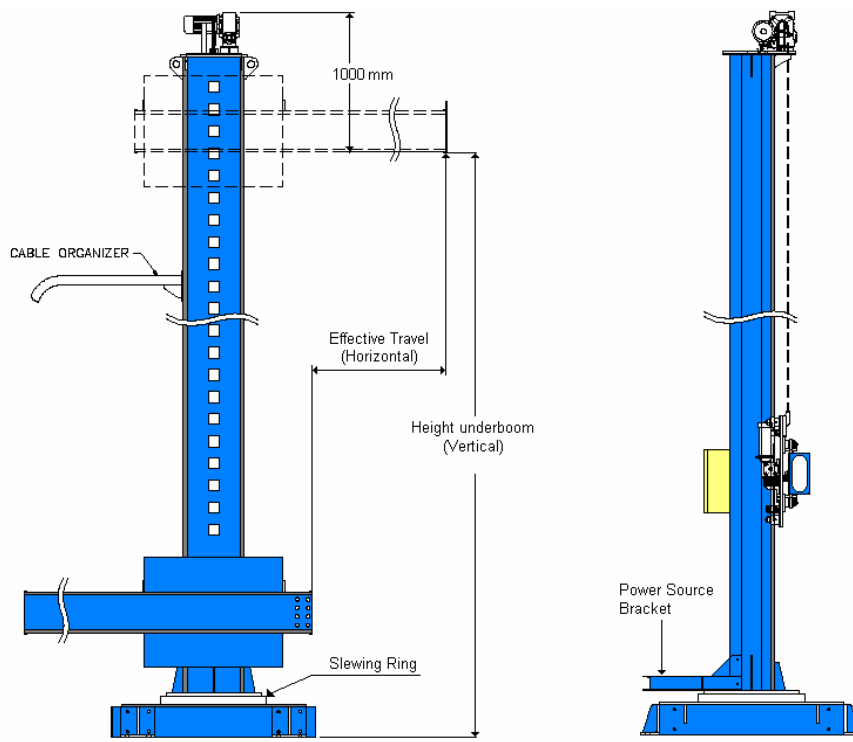
Inclusive:

- Power source mounting bracket of your choice

Optional features includes

- Travel car, manual or motorized variable speed operated via the same pendant station via selector switch.
- X-Y slide, manual or motorized, operated via the same pendant station.
- Compressed air operated flux recovery unit
- Welding power source & wire feeder controller system

All **A&N** Column & Boom Manipulators are grit blasted to SA2.5 and two coats of zinc phosphate paint followed by one coat of polyurethane paintwork will ensure that your investment provides you with many years of uninterrupted service.



MHD Series (Up to 4.0 x 4.0m) (C&B)

Specification

Input Voltage: 3-Phase Voltage (Specify 3 –phase voltage requirement before ordering)

Electrical Box: IP55 code

Vertical Travel Speed: 750mm/min

Boom Travel Speed: 200 to 2070 mm/min

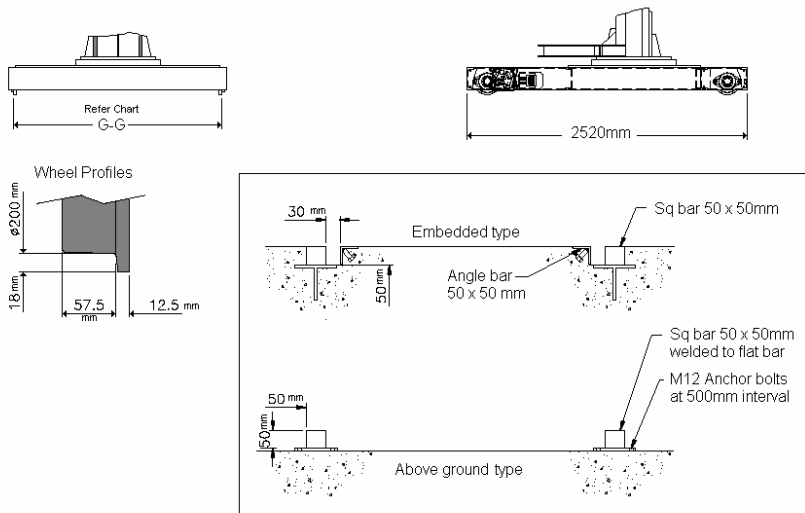
Carriage Travel Speed: 450 to 4500 mm/min (optional)

Model	Effective Travel (Horizontal) mm	Height Under Boom (Vertical) mm	Overall Height (mm)
RM2525 MHD	2500	2500	3500
RM3030 MHD	3000	3000	4000
RM3535 MHD	3500	3500	4500
RM4040 MHD	4000	4000	5000

All dimensions are subject to change without prior notice.

All speed base on 50Hz.

Please advise welding power source/welding head to be use.



MHD Type Travelcar Rails G-G in mm (250kg Payload)

V ^H	25	30	35	40
25	1650			
30				
35		2000		
40				

Notes:

V denotes Max.Under Boom Height (Vertical), in hundreds of mm. i.e. 20 = 2000mm

H denotes Effective Boom Travel (Horizontal), in hundreds of mm. i.e. 20 = 2000mm

..... www.anplant.com

MHD Series (Up to 4.0 x 4.0m) (C&B)

Ordering Information Checklist

Equipment	Part Number	Description	
Column & Boom Manipulator	RM25/25MHD RM30/30MHD RM35/35MHD RM40/40MHD	2.5 x 2.5-metre Column & Boom 3 x 3-metre Column & Boom 3.5 x 3.5-metre Column & Boom 4.0 x 4.0-metre Column & Boom (Comes with standard fixed Base unless specified)	
Base	[Blank] TC- TCM-	Fixed base (Standard) Travel car Manual Travel car Motorized	Standard Optional Optional
Electrical Control	EA- SA-	Panel & 3-phase AC motor Panel, step-over & 3-phase AC motor	Standard Optional

Welding System Accessories

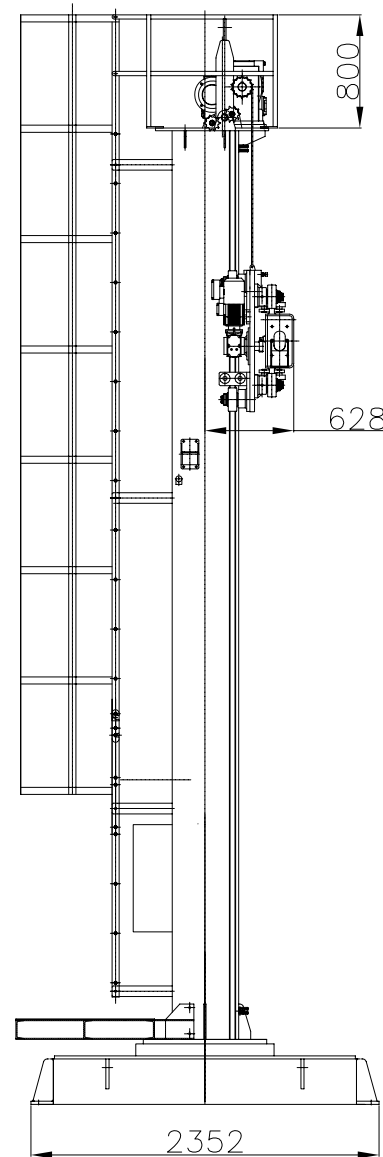
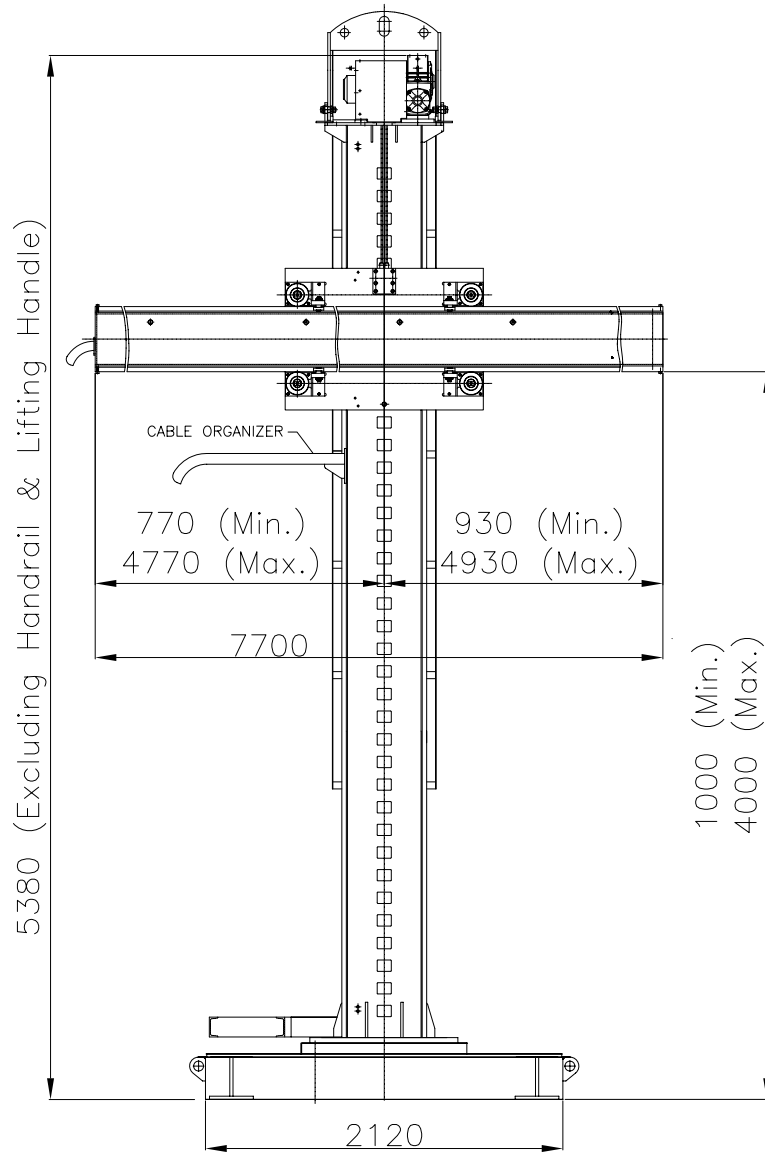
<p>Option One</p> <ul style="list-style-type: none"> • Lincoln NA3s Controller • K208A weld head • Drive roll kit • Wire reel • 600 amps nozzle • Cable kit Assemble • 10-Metre ground Cable with clamp • DC 1000 power source <p>Optional:</p> <p style="padding-left: 40px;">Rotary Clamp 1000 amp</p>	<p>Option Two</p> <ul style="list-style-type: none"> • Lincoln NA5 Controller • K346A weld head • Drive roll kit • Wire reel • 600 amps nozzle • Cable kit Assemble • 10 Metre ground Cable with clamp • DC 1000 power source <p>Optional:</p> <p style="padding-left: 40px;">Rotary Clamp 1000 amp</p>	<p>Option Three</p> <ul style="list-style-type: none"> • Miller HDC 1500 Controller • RAD Weld head • Flux hopper • Drive roll kit (Specify wire size) • Wire straightener • 600amps Nozzle • Wire reel • Cable kit assembly • 10 Metre ground Cable with clamp • Dimension 1000 power source <p>Optional:</p> <p style="padding-left: 40px;">Rotary Clamp 100 amp</p>
--	---	--

..... www.anplant.com


MHD Series (Up to 4.0 x 4.0m) (C&B)

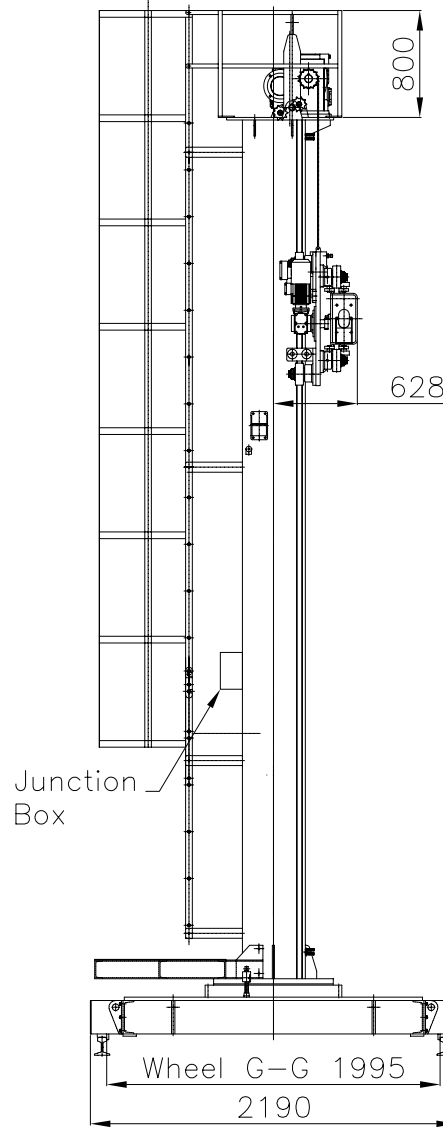
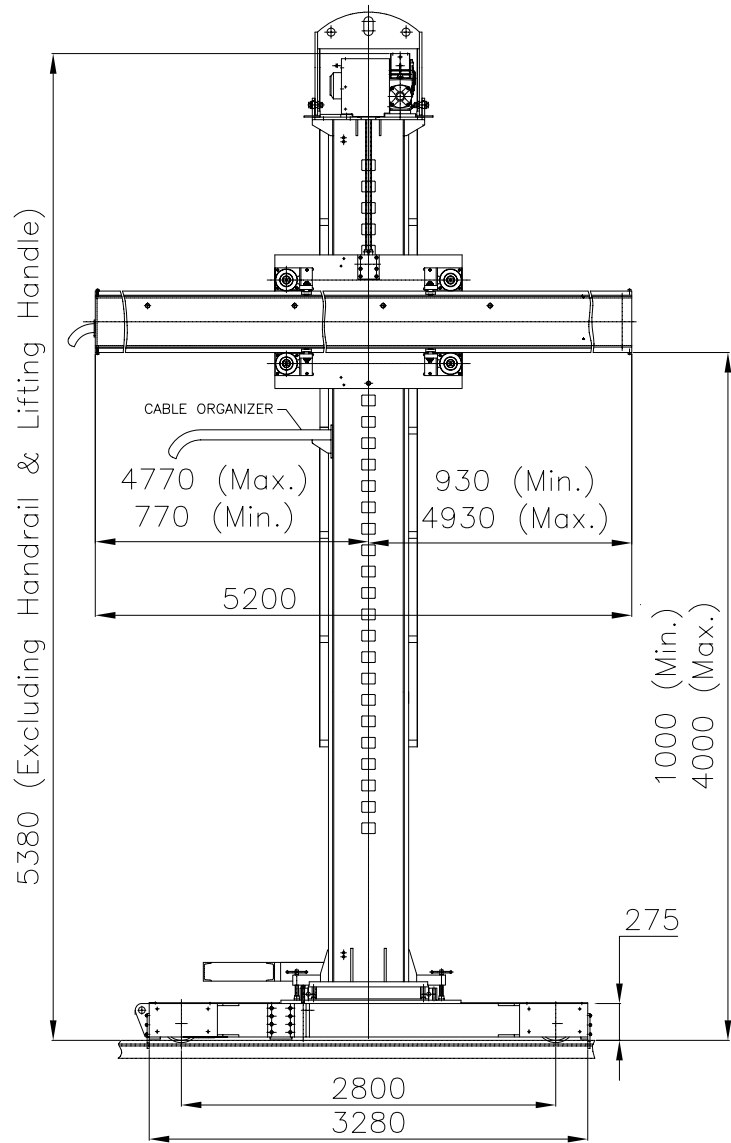
Specification for Manipulator

1	Model	RM4040VHD-FB-XA
2	Vertical Speed	1060 mm/min at 50Hz, 2.2KW c/w Brake
3	Boom Speed	165~1650mm/min at 5~50Hz, AC 0.55KW c/w Force Cooling
4	Travel Speed	N.A.
5	Welding Control/ Brand	T.B.A.
6	Welding Power Source/ Brand	T.B.A.
7	Operator Chair	No
8	Controller bracket	Yes
9	X-Y Slide	No.
10	Wire-reel bracket	Yes
11	Flux Recovery	No.
12	Electrical Panel	Yes
13	Base Type	Fixed Base
14	Power Source Bracket	Yes
15	Slewing Feature	Yes. Manual
16	Power Supply	400V-3P-50Hz
17	Travelcar Track Gauge	N.A.
18	Control Voltage	24Vac
19	Control Means	Via Pendant Control c/w 14m cable
20	Surface Preparation	Gritblast to SA2.5
21	Painting	2 coats Zinc Phosphate, 1 coat Polyurethane
22	Color	RAL 3003 Red
23	Qty	T.B.A



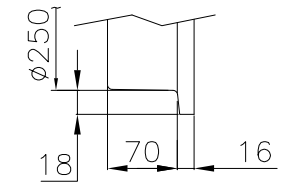
ALL DIMENSIONS IN MM, UNLESS OTHERWISE SPECIFIED.

 A&N PLANT <small>ROTATORS - COLUMN BOOMS - POSITIONERS</small>			PROJECT TITLE : RM4040VHD-FB-XA	
DRAWN Mic			CLIENT : -	
APPROVED			DWG. NAME : MANIPULATOR GENERAL ASSEMBLY	
NAME DATE 15-11-06			DWG. NO : AN-RM4040VHD-FB-XA	
			SCALE: N.T.S.	
			REVISION: 0	
			SHEET NO: 1 OF 1	
THE ORIGINAL AND ALL COPIES OF THIS DRAWING TOGETHER WITH THE COPYRIGHT THEREOF ARE THE SOLE PROPERTY OF R.P.E. PTE. LTD. SINGAPORE				



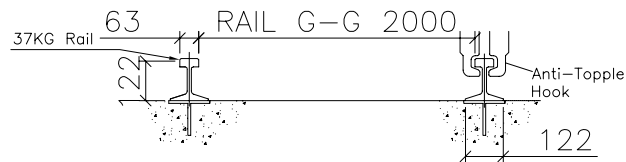
Specification for Manipulator

1	Model	RM4040VHD-TCM-XA-G2000
2	Vertical Speed	1060mm/min at 50Hz, 2.2KW c/w Brake
3	Vertical Brake Supply	230V-1P-50Hz
4	Boom Speed	165~1650mm/min at 5~50Hz, AC 0.55KW c/w forced cooling
5	Forced Cooling Fan Supply	230V-1P-50Hz
6	Travel Speed	285~2850mm/min at 5~50Hz, AC 0.75KW c/w Brake
7	Travel Brake Supply	230V-1P-50Hz
8	Welding Control/ Brand	T.B.A.
9	Welding Power Source/ Brand	T.B.A.
10	Operator Chair	No
11	Controller bracket	Yes
12	X-Y Slide	No
13	Wire-reel bracket	Yes for Lincoln
14	Flux Recovery	No.
15	Electrical Panel	Yes
16	Base Type	Motorized Travelcar
17	Power Source Bracket	Yes
18	Slewing Feature	Yes. Manual
19	Power Supply	400V-3P-50Hz
20	Travelcar Track Gauge	G-G 2000mm
21	Control Voltage	N.A.
22	Control Means	N.A.
23	Surface Preparation	Gritblast to SA2.5
24	Painting	2 coats Zinc Phosphate, 1 coat Polyurethane
25	Color	RAL 3003 Red
26	Qty	T.B.A

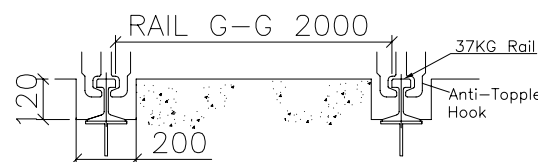


Wheel Profiles (For Reference)

Recommended Rail Profile (By Client)



Above Ground Type



Embedded Type

ALL DIMENSIONS IN MM, UNLESS OTHERWISE SPECIFIED.

			PROJECT TITLE : RM4040VHD-TCM-XA-G2000	
DRAWN : Mic			CLIENT : -	
DATE : 15-11-06			DWG. NAME : MANIPULATOR GENERAL ASSEMBLY	
APPROVED :			DWG. NO : AN-RM4040VHD-TCM-XA-G2000	
			SHEET NO : 1 OF 1	
<small>THE ORIGINAL AND ALL COPIES OF THIS DRAWING TOGETHER WITH THE COPYRIGHT THEREOF ARE THE SOLE PROPERTY OF R.P.E. PTE. LTD. SINGAPORE</small>				